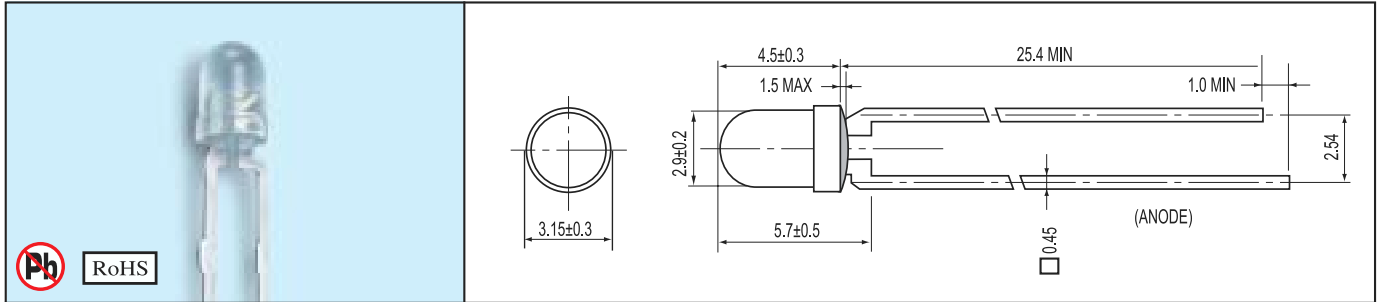


Part Number EL-xxxx	Chip			Lens Color	V _F (V) at I _F = 20mA		I _v (mcd)			Viewing Angle 2θ 1/2
	Material	Emitted Color	λ _D (nm)		Typ.	Max.	at I _F = mA	Min.	Typ.	

3mm Round, T-1

UNIT: mm



264-7SUBC/C470/S400-A4	InGaN	SuperBlue	470	Water Clear	3.5	4.0	20	320	500	25	
264-7SUBC/C470/S400-A5	InGaN	SuperBlue	470		3.5	4.0		400	630		
264-7SUBC/C470/S400-A6	InGaN	SuperBlue	470		3.5	4.0		500	800		
264-7UBGC/S400-A4	InGaN	Bluish Green	505		3.5	4.0		1000	1600		
264-7UBGC/S400-A5	InGaN	Bluish Green	505		3.5	4.0		1250	2000		
264-7UBGC/S400-A6	InGaN	Bluish Green	505		3.5	4.0		1600	2500		
264-7SUGC/S400-A4	InGaN	SuperGreen	525		3.5	4.0		1600	2500		
264-7SUGC/S400-A5	InGaN	SuperGreen	525		3.5	4.0		2000	3200		
264-7UYC/S530-A3	AlGaInP	Super Yellow	589		2.0	2.4		125	200		40
264-7UYC/S530-A4	AlGaInP	Super Yellow	589		2.0	2.4		160	250		
264-7UYC/S530-A5	AlGaInP	Super Yellow	589		2.0	2.4	200	320			
264-7UYC/S400-A6	AlGaInP	Super Yellow	589		2.0	2.4	250	400			
264-7UYC/S400-A7	AlGaInP	Super Yellow	589		2.0	2.4	320	500			
264-7UYC/S400-A8	AlGaInP	Super Yellow	589		2.0	2.4	400	630			
264-7UYC/S400-A9	AlGaInP	Super Yellow	589		2.0	2.4	500	800			
264-7USOC/S530-A3	AlGaInP	Super Sunset Orange	615		2.0	2.4	125	200			
264-7USOC/S530-A4	AlGaInP	Super Sunset Orange	615		2.0	2.4	160	250			
264-7USOC/S530-A5	AlGaInP	Super Sunset Orange	615		2.0	2.4	200	320			
264-7USOC/S400-A6	AlGaInP	Super Sunset Orange	615		2.0	2.4	250	400			
264-7USOC/S400-A7	AlGaInP	Super Sunset Orange	615		2.0	2.4	320	500			
264-7USOC/S400-A8	AlGaInP	Super Sunset Orange	615		2.0	2.4	400	630			
264-7USOC/S400-A9	AlGaInP	Super Sunset Orange	615		2.0	2.4	500	800			
264-7SURC/S530-A3	AlGaInP	Hyper Red	624		2.0	2.4	125	200	40		
264-7SURC/S530-A4	AlGaInP	Hyper Red	624		2.0	2.4	160	250			
264-7SURC/S530-A5	AlGaInP	Hyper Red	624		2.0	2.4	200	320			
264-7SURC/S400-A6	AlGaInP	Hyper Red	624	2.0	2.4	250	400				
264-7SURC/S400-A7	AlGaInP	Hyper Red	624	2.0	2.4	320	500				
264-7SURC/S400-A8	AlGaInP	Hyper Red	624	2.0	2.4	400	630				