

87810_

MAXIMUM ELECTRIC CURRENT:

22-18 A.W.G.: 10 AMPERE 18-14 A.W.G.: 15 AMPERE
 18-14 A.W.G.: 15 AMPERE 12-10 A.W.G.: 24 AMPERE
 16-14 A.W.G.: 15 AMPERE 12 A.W.G.: 24 AMPERE

MAXIMUM ELECTRICAL RATING: 105°C 600 VOLTS MAX.

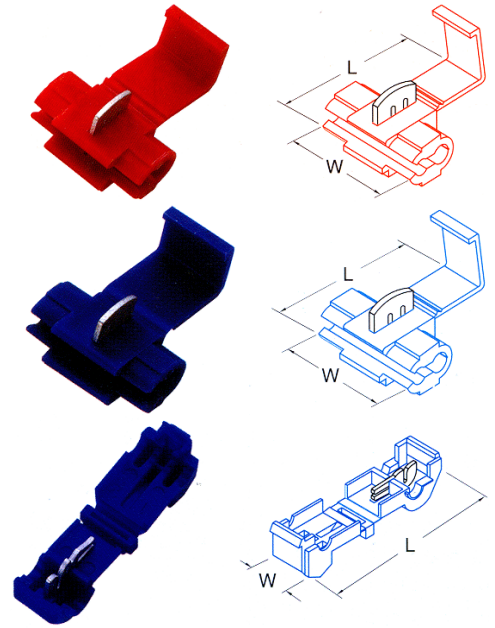
INSULATION MATERIAL: P.P.

878006,878106,878206,878008,878108:NYLON

INSULATION COLOR:

22-18 A.W.G.: RED 18-14 A.W.G.: BLUE
 18-14 A.W.G.: 12-10 A.W.G.: YELLOW
 16-14 A.W.G.: RED 12 A.W.G.: YELLOW

TERMINAL MATERIAL: BRASS



WIRE RANGE A.W.G. mm ²	ITEM NO.	DIMENSION inch(mm)		FIGURE	COLOR	Q'TY BAG
		W	L			
22-18 A.W.G. 0.5-0.75 mm ²	878100	0.787 20.00	1.063 27.00		RED	500
18-14 A.W.G. 0.75-2.5 mm ²	878101	0.787 20.00	1.063 27.00		BLUE WHITE	500
	878106	0.394 10.00	1.496 38.00		BLUE	500