

Product Surface Chart



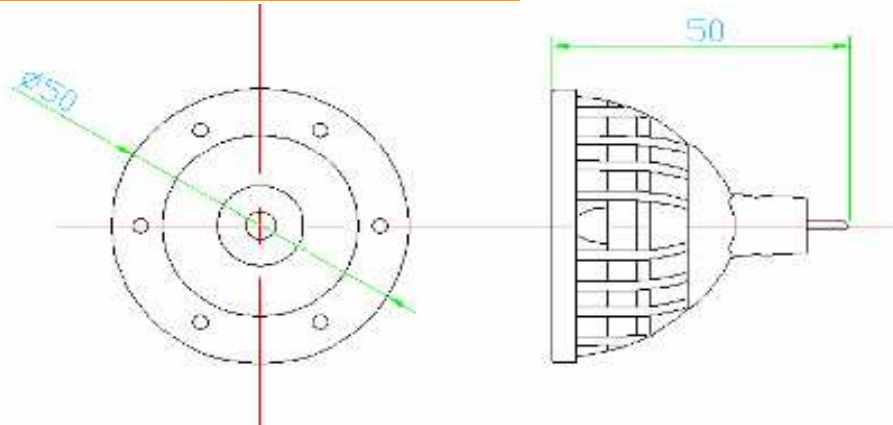
Product Code

OF-MR1611xxS12

Color Code

Color
cool white
warm white
red
green
blue
yellow

Product Framework Dimension Chart

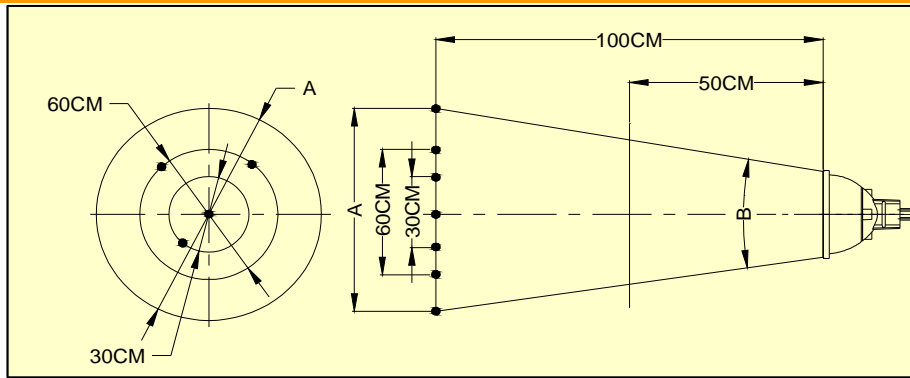


Unit: mm

A.FEATURES 1W

- BUIB TYPE : MR16 LED Bulb
- BASE TYPE : 2 pin GU5.3
- INPUT VOLTAGE : 12V AC/DC with reversed polarity protect
- INPUT POWER : 1.2W
- OUTPUT POWER : 1.0W
- TOTAL LENGTH : 50mm(including pins)
- BEAM ANGLE : 30degrees
- REFLECTOR EFFICIENCY : 90%
- LIGHT SOURCE : 1W high power LED
- LED OUTPUT CURRENT : 350mA
- BODY TEMPERATURE : <40°C
- LED WORKING TEMPERATURE : <50°C
- FULL RANGE OF COLORS : cool white, warm white, blue, green ,red,yellow
- NET WEIGHT : 45g
- ALUMINIUM HOUSING
- NO UV OR IR RADIATION
- SAFETY ASSURANCE : CE&RoHS

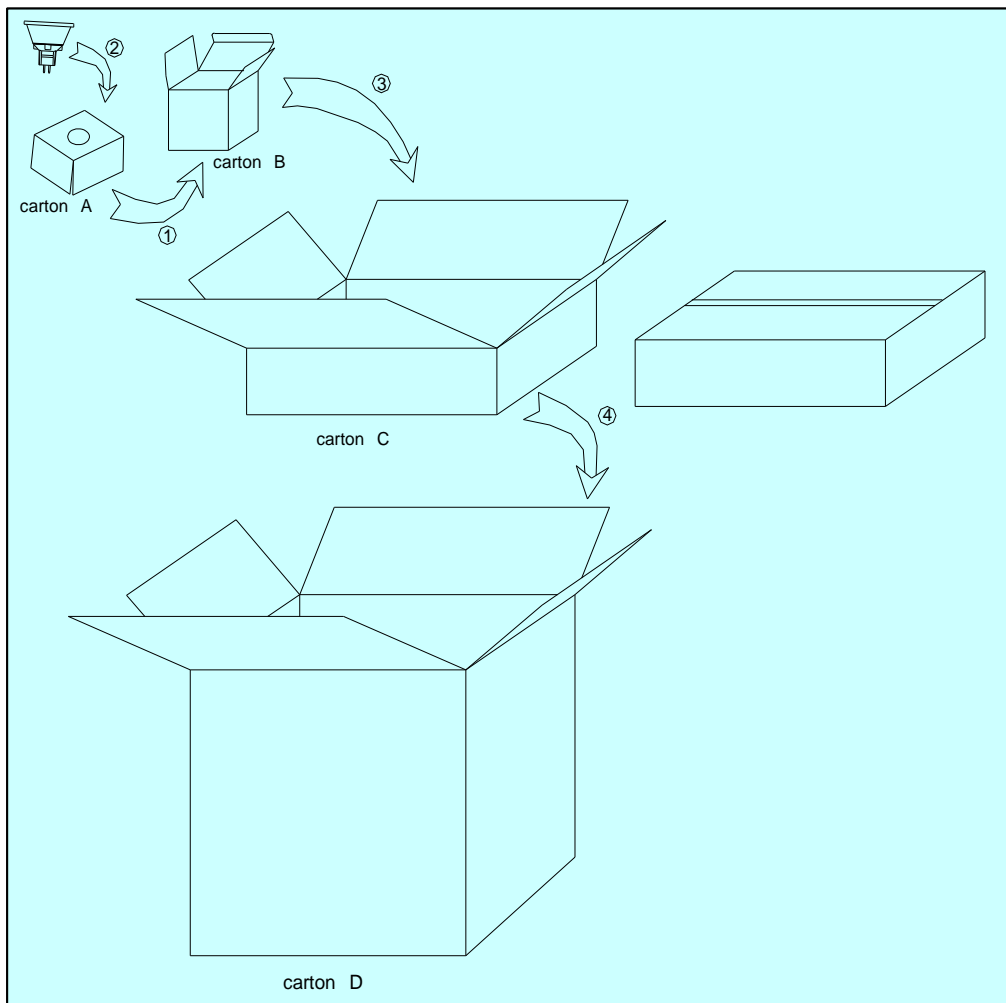
2.Chart of Aperture Luminous Intensity in One Metre distance away



3.1 Optical Characteristics at $I_p=350\text{mA}$ OUTPUT POWER : 1.0W

part no.	LED Brand	Color	wavelength/C CT(nm/K)	Luminous Flux (LM)	center illuminance 1M/0.5M (LUX)	Dia 60/30CM 1M/0.5M (LUX)	light circle 1M/0.5M (CM)
OF-MR1611WS12	Edison (SL)	cool white	5000-7000K	50	560/1850	30/100	90/45
OF-MR1611WWS12		warm white	2800-3500K	25	270/920	20/40	90/45

3.Packing Criterion



Packing Notice :

- 1.Qty/ctn:100pcs
- 2.Gross Weight:5.2kg
- 3.Size of carton:31*25*44CM
- 4.Handle with care